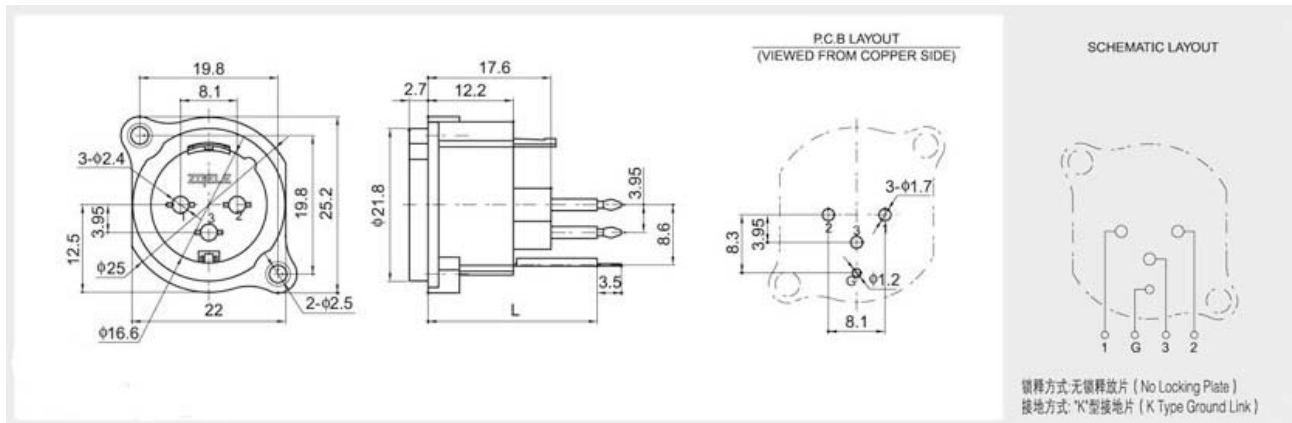


XLR CONNECTOR SERIES

KLS1-XLR-S12 (XLR Socket)

Electrical Specification:

- Contact resistance: $\leq 0.03\Omega$
- Insulation resistance: $\geq 100m\Omega$
- Withstand voltage: 500V AC (50Hz)/minute
- Rated load: 50V DC, 1A
- Insertion and extraction force: 4-40N
- Temperature range: $-30^{\circ}C \sim +80^{\circ}C$



ORDER INFORMATION

Product NO.:KLS1-XLR-S12-03-M-S-W-N

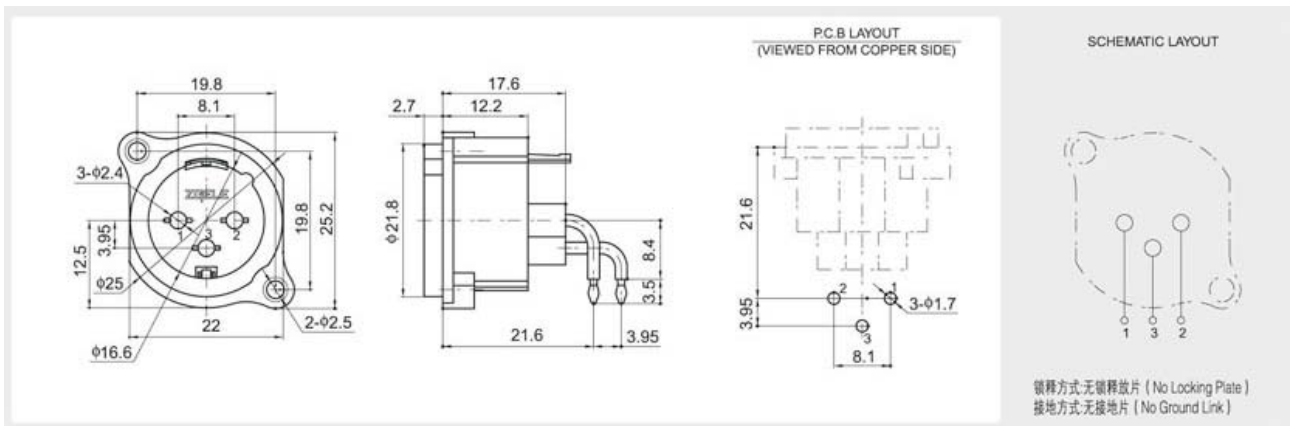


XLR CONNECTOR SERIES

KLS1-XLR-S12 (XLR Socket)

Electrical Specification:

Contact resistance: $\leq 0.03\Omega$
 Insulation resistance: $\geq 100m\Omega$
 Withstand voltage: 500V AC (50Hz)/minute
 Rated load: 50V DC, 1A
 Insertion and extraction force: 4-40N
 Temperature range: $-30^{\circ}C \sim +80^{\circ}C$



ORDER INFORMATION

Product NO.: KLS1-XLR-S12-03-M-R-N-N

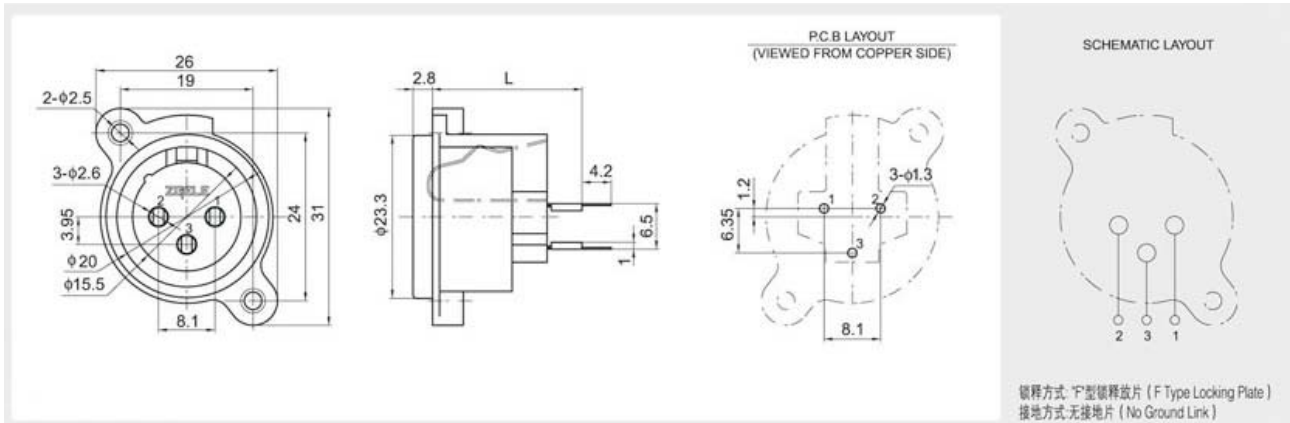
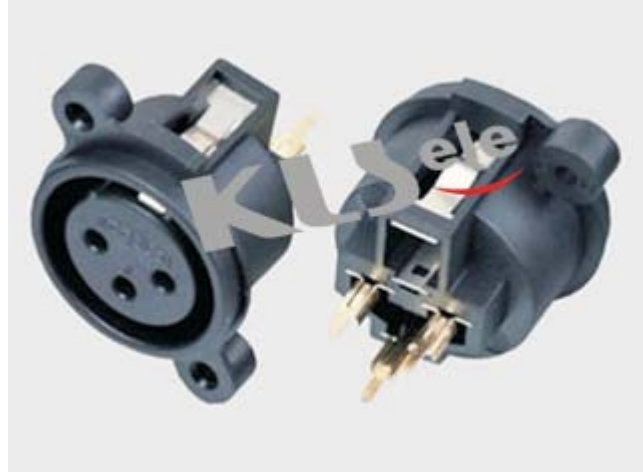


XLR CONNECTOR SERIES

KLS1-XLR-S12 (XLR Socket)

Electrical Specification:

- Contact resistance: $\leq 0.03\Omega$
- Insulation resistance: $\geq 100m\Omega$
- Withstand voltage: 500V AC (50Hz)/minute
- Rated load: 50V DC, 1A
- Insertion and extraction force: 4-40N
- Temperature range: $-30^{\circ}C \sim +80^{\circ}C$



ORDER INFORMATION

Product NO.: KLS1-XLR-S12-03-F-S-N-W

