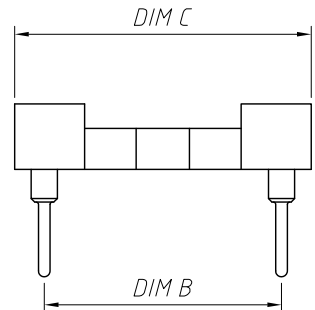
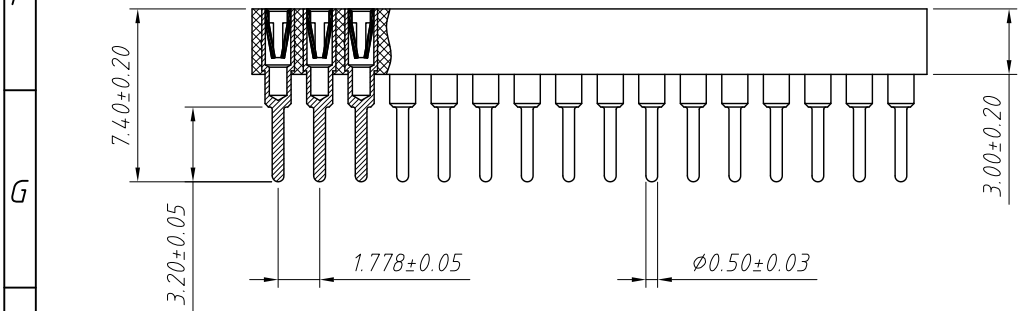


Position	A	B	C
24	21.80	10.16	12.70
28	25.20	10.16	12.70
30	27.00	10.16	12.70
32	28.80	10.16	12.70
48	43.10	10.16	12.70
20	18.10	15.24	17.64
24	21.70	15.24	17.64
28	25.20	15.24	17.64
40	35.80	15.24	17.64
48	43.10	15.24	17.64
52	46.70	15.24	17.64
56	50.20	15.24	17.64
64	57.30	15.24	17.64
68	60.90	15.24	17.64
64	57.30	19.05	21.45

Material:
Housing: PBT UL94V~0
Contacts: Beryllium copper or Phosphor Bronze
Plating: Au 3u" or Sn over 50u" nickel

Electrical Characteristics:
Current Rating: 1.0 AMP
Insulator Resistance: 1000MΩ min.
Contact Resistance: 20mΩ max.
Operating Temperature: -40°C ~ +105°C



Order Information:
L-KLS1-217B-XX-1-Y
L: RoHS
IC Socket
XX-No. of 24~64pin
B Size: 1=10.16mm
2=15.24mm 3=19.05mm
Y-Imported Beryllium copper
NONE-Domestic Phosphor Bronze

GENERAL TOLERANCE	PROJECTION		Description:
X. ±0.50	UNITS	mm	1.778mm Pitch IC Socket Connector
.X ±0.25	SCALE	1:1	
.XX ±0.10	Draw by:	Jenny	
ANGLE TOLERANCE	Check by:		KLS P/N: L-KLS1-217B-XX-1-Y
X. ±5°	Date	2018-03-01	NingBo KLS ELECTRONIC CO.,L TD.
.X ±3°	SHEET	1 OF 1	
.XX ±2°			