

1000 Base-Tx Transformer Modules

Electrical Specification:

@25°C Operating Temperature 0 to +70°C

Part NO : 1250K-S013LF

Trun Ratio (±3%) : 1CT:1CT

OCL primary@ 100KHz,0.1Vrms,8mA : 350uH Min

Insertion loss: 1-100MHz -1.0dB max

Return loss: 1-30MHz -16dB min.

40MHz -14.4dB min.

50MHz -13.1dB min.

60-80MHz -12dB min.

100MHz -10dB min.

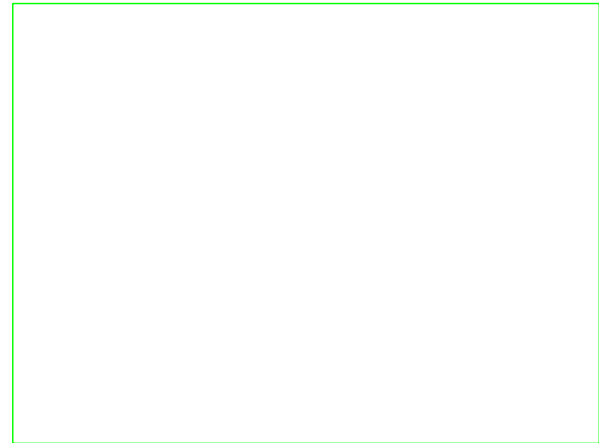
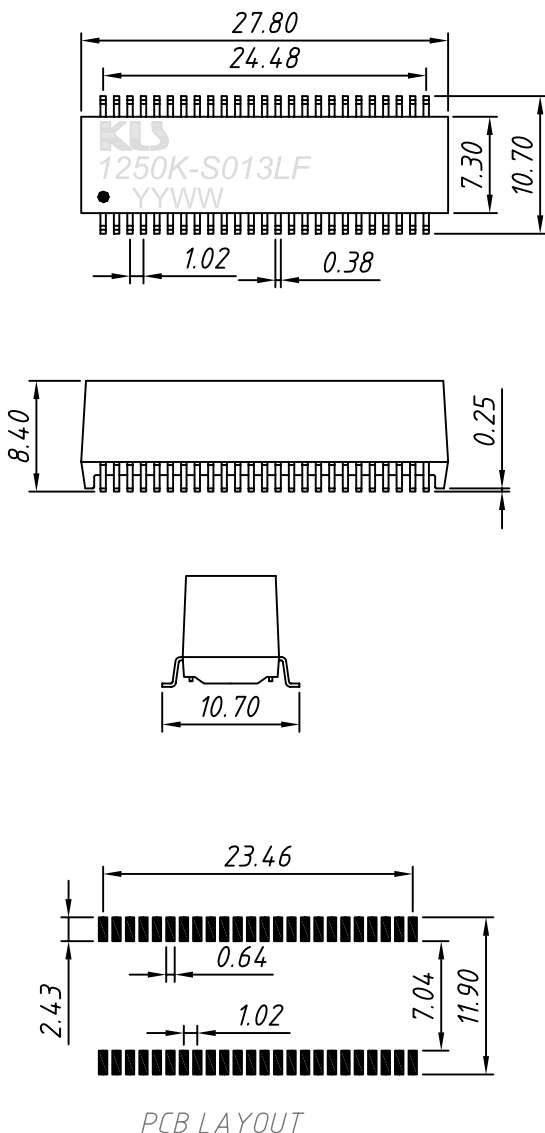
Crosstalk: 1-100MHz -30dB min.

Hi-Pot 1500 Vrms Min.

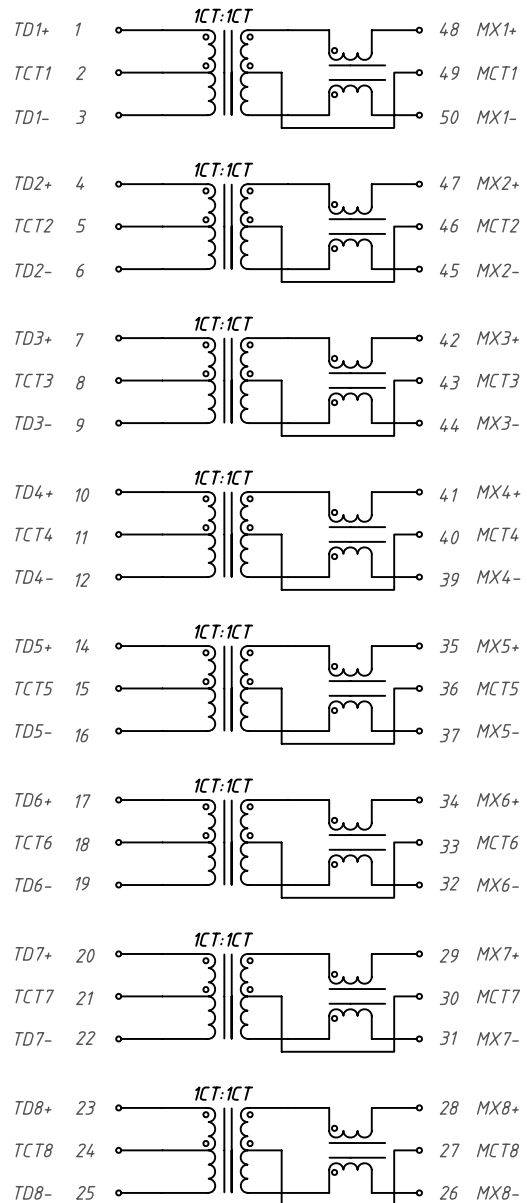
Features:

1. Designed to meet IEEE 802.3ab requirements.
2. IEEE 802.3af/ANSI X3.263 compliant performance.
3. Peak solder temperature rating per Table 5-2 in IPC/JEDEC J-STD-020C
4. RoHS Compliant

Dimension: unit:mm



Schematic



1250K-S013LF-T
1250K-S013LF-R

Packing: Tube
Packing: Tape&Reel