

## Stainless Steel Level Sensors

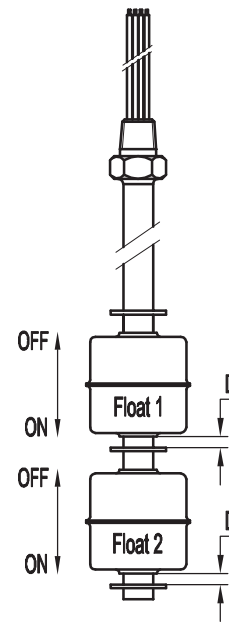
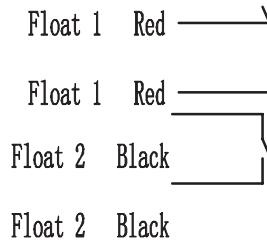
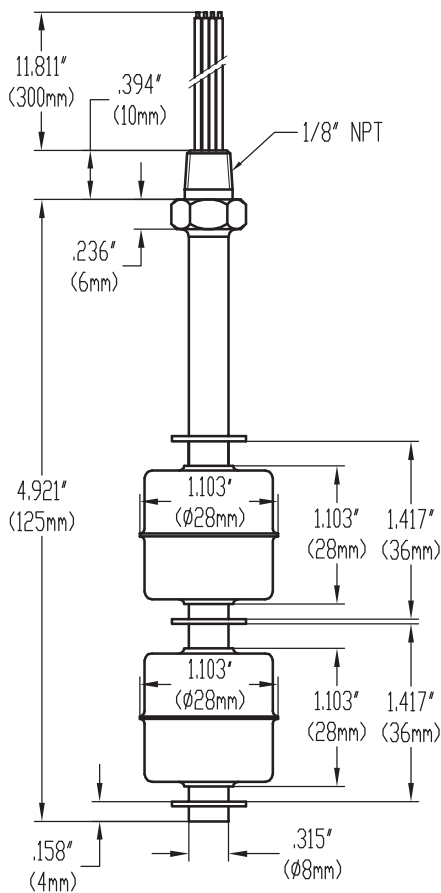
### KLS26-MR10125-2S Stainless Steel Level Sensors

**Material:**

Float ball:SUS304  
 Float body:SUS304  
 E-ring:SUS304  
 Wire:UL 1430 24#  
 Filling:epoxy glue  
 Reed switch:229

**Electrical Specification:**

Contact rating:50W  
 Max switching current:DC350/AC300  
 Breakdown voltage:600 min  
 Max switching voltage:DC0.7/AC0.5  
 Max carry current:2.5A  
 Contact resistance:100 max  
 Insulation resistance: $10^{10}$  min  
 Get an electric shock life: $10^7$   
 Applicable temperature:-15°C~+125°C



**Movement explanation:**  
 When the float drops to the D position in the position between  $D=3\pm 1$ mm, the reed switches will be closed

## ORDER INFORMATION

Product NO.: KLS26-MR10125-2S

Pos. NO.

Serial number