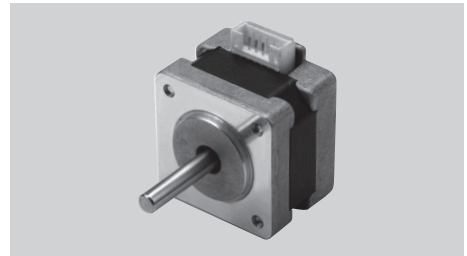


# 14HY SERIES 1.8°

## Key Features

- Low Inertia
- Small Size
- High Acceleration



## General Specifications

- Bi-polar

Series & Length	Model Number	Holding Torque		Rated Current	Resistance per Phase	Inductance per Phase	Detent Torque		Rotor Inertia	
		mNm	oz-in	A	ohm	mH	mNm	oz-in	g.cm <sup>2</sup>	oz-in <sup>2</sup>
14HY5 26 mm (1.01 in.)	14HY5010	68	9.64	0.4	9	8	10	1.42	12	0.07
14HY8 37 mm (1.44 in.)	14HY8002	115	16.30	0.85	5.5	5	15	2.12	20	0.11

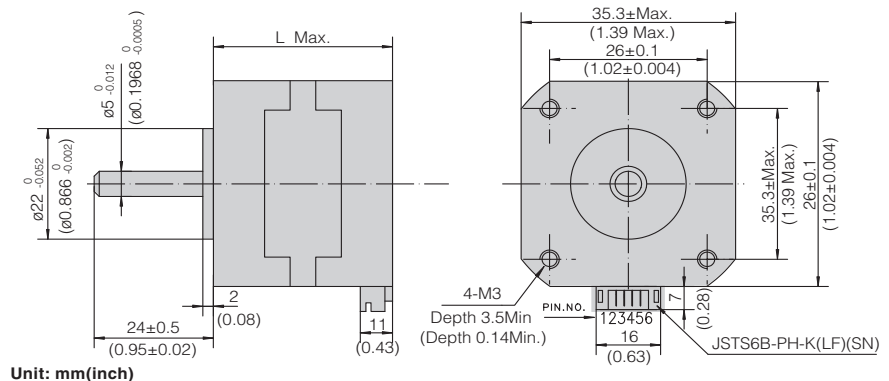
- Uni-polar

Series & Length	Model Number	Holding Torque		Rated Current	Resistance per Phase	Inductance per Phase	Detent Torque		Rotor Inertia	
		mNm	oz-in	A	ohm	mH	mNm	oz-in	g.cm <sup>2</sup>	oz-in <sup>2</sup>
14HY5 26 mm (1.01 in.)	14HY5011	50	7.09	0.4	9	4.2	10	1.42	12	0.07
14HY8 37 mm (1.44 in.)	14HY8001	120	17.01	1.2	2.7	1.7	15	2.12	20	0.11

- Wiring Connection, Lead Wires, Schematic Diagrams & Stepping Sequence.....Page 62 - 64

## Mechanical Dimension

Series	L	Mass
	mm (in.)	kg (lb.)
14HY5	26 (1.01)	0.15 (0.33)
14HY8	37 (1.44)	0.21 (0.46)

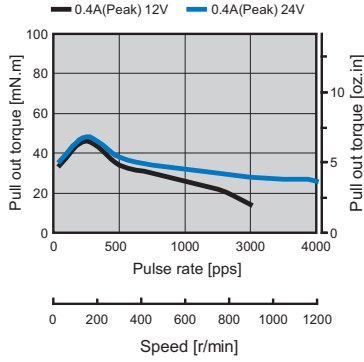


## Dynamic Torque Curves

- Bi-polar

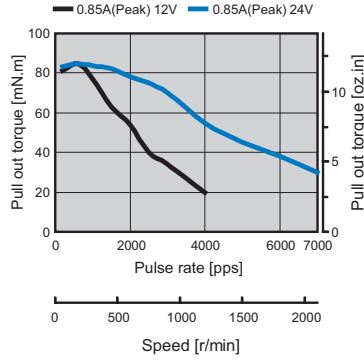
### 14HY5010

Conditions: Bi-polar Constant Current Driver  
 Driver: AMA MS3540M  
 Mode: Full Step



### 14HY8002

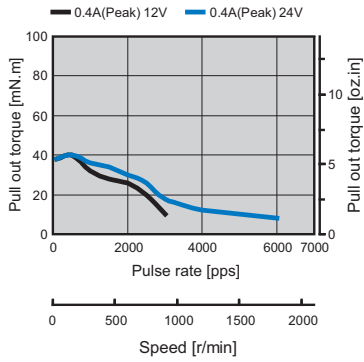
Conditions: Bi-polar Constant Current Driver  
 Driver: AMA MS3540M  
 Mode: Full Step



- Uni-polar

### 14HY5011

Conditions: Uni-polar Constant Current Driver  
 Driver: AMA MSU3040M  
 Mode: Full Step



### 14HY8001

Conditions: Uni-polar Constant Current Driver  
 Driver: AMA MSU3040M  
 Mode: Full Step

